

DI-MIDI11-201

medium sized dash 1 CAN

Features

Based on latest LCD technology 2D created a medium sized dash with integrated shift and warning LEDs. It features various alarm options, predictive lap timing, gear calculation and a fully programmable display. Very bright shift LEDs, high contrast and background lighting provides a new level of clarity.

- A graphic display with 128x64 dots can be used to show any channel or to display warning messages (indicating low oil pressure, high water temperature and low battery voltage)
- 3 extra warning LEDs on the side of the dashboard (blue, red, green)
- 1 fully programmable CAN-line
- 16 online calculation channels
- Adjustable brightness of LEDs, shift LEDs and background
- Full temperature range -20°C to 70°C
- Temperature controlled contrast
- Usable as standalone display unit
- Programmable via CAN-bus

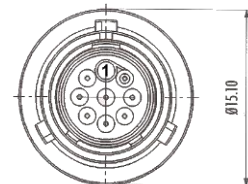


Connector layout

Connector type

9pin Deutsch connector

Pin	Name	Description
1	CAN 1 H	CAN Bus High
2	CAN 1 L	CAN Bus Low
3	Vext (KL-30)	External Power supply (5-24V)
4	BGND	Board Ground
5	Digital 1	RPM (Button/Status)
6	Analog 1	Lap (Pullup-4k7)
7	Analog 2	Analog input (0-5V) switchable Pullup-4k7
8	n.c.	Not connected
9	n.c.	Not connected



ASDD 6 06-09 PC-HE

DI-MIDI11-201

medium sized dash 1 CAN

Technical specifications

Electrical characteristics

Power supply.....	[V]	5-20
Current consumption :		@ 12V
Shift led + background lighting off.....	[mA]	150
Shift led + background lighting on.....	[mA]	180
Shift led + background lighting + Warning light	[mA]	200
Graphic display.....	[dots]	128 x 64

Communications

CAN-lines.....		1
----------------	--	---

Channels

Calc.....		16
CAN.....		32
Analog.....		3 (2 ext. + 1 int.)
Event.....		9
Display.....	[pages]	3
Channels per page.....	[CH / page]	4/6/12
Programmable Shift-LEDs.....		8
Programmable Warning-LEDs.....		4

Mechanical

Dimensions.....	[mm ³]	90 x 60 x 14.5
Weight.....	[g]	120
Housing material.....		Aluminium

Connector

9pin Deutsch connector ASDD 6 06-09 PC-HE.....		1
--	--	---

Environmental

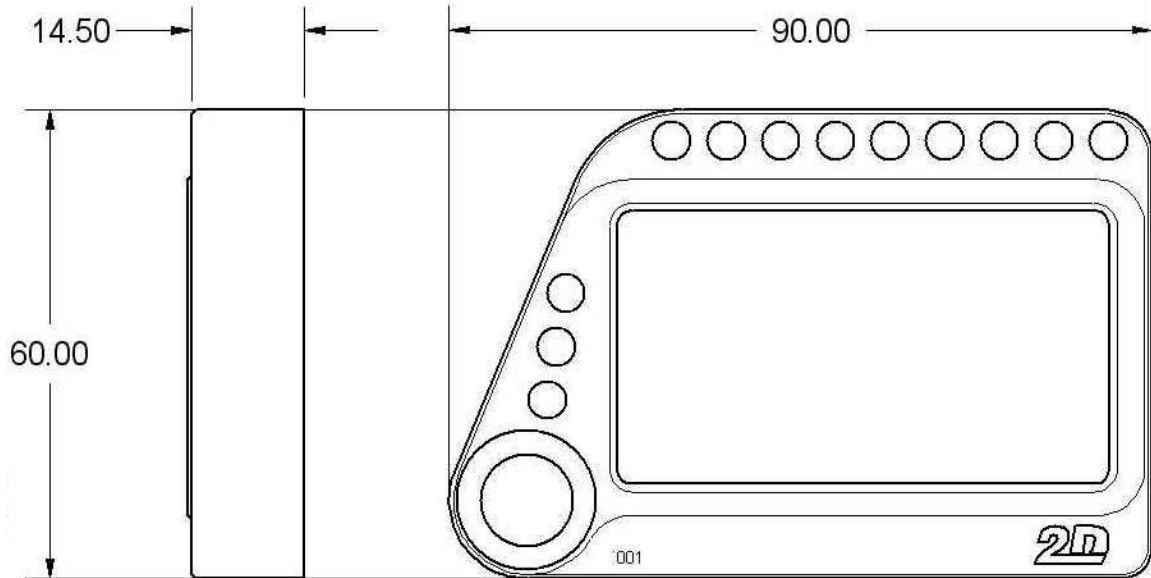
Operating temperature.....	[°C]	-20 to +70
Humidity.....	[%]	5-95

Options

Ordering information

Art.No.:		
DI-MIDI11-201.....		Display with Deutsch connector and 1 CAN Moto 2 spec

DI-Midi11-201**medium sized dash 1 CAN**

Dimensions

Documentation reference

A documentation about operating + setting for this display is available at www.2d-datarecording.com.

→ <products> <hardware> <display units> <Mididash> <manual>