



1 BUTTON ON-OFF HandleBar Switch

HBS_R01

The product have been designed such as Kill Switch in the Motor Bike and motorsport applications. Should be mounted in the Brembo Brake pump directly. A option collar is available if a not Brembo part is used for to fix on to a standard 22 mm handlebar. The parts delivered from 02-2023 are equipped with a guard for to avoid any unintentional action of the switch.

A autosport wired connector type can be available as customer dedicated version. For OEM applications information please contact directly the company

For more informations, please contact :

All values refer to standard conditions (20°C, 100 KPa)
Sometimes, Mectronik can changes the data without notice

MecTronik S.r.l. - Via dell'artigianato, 5 - 37053 - Cerea (VR)

Tel./Fax : +39-(0)442-329200 (lines r.a.)

<http://www.mectronik.com>

info@mectronik.com

TECHNICAL SPECIFICS

BUTTONS	1	#
SWITCH TYPE	LATCHING	#
SWITCH CIRCUIT	N.O	#
ELECTRICAL LIFE	>25k	Cycles
CABLE LENGHT	500	mm
WIRES	RAYCHEM 55A	#
GLUE	RAYCHEM S1125	#
SUPPLY VOLTAGE	Max 28V	V
SUPPLY CURRENT	Up to 1.5	A
FINISHING	BLACK ANODIZED	#
MATERIAL HOUSING	ALLUMINIUM	#
WEIGHT	50 ~	g
PROTECTION	IP64	#
OPERATING TEMP	-20.....+85	°C
MOUNTED	ON BREMBO BRAKE PUMP	
FIXING H.BAR DIAMETER	22**	mm

** with a proper optional collar

ELECTRICAL CONNECTION

CONNECTOR	TYPE
SUMITOMO 2 WAY PM	02t-jwvf-vsle-s

PIN 1	PIN 2
TERMINAL 1	TERMINAL 1

COMMERCIAL INFO

SHORT NAME	TYPE	ORDER CODE
HBS_R05	1 ON-OFF SWITCH	PRD0050
HBC_R02	COLLAR	PRD0053

For more informations, please contact :

MecTronik S.r.l. - Via dell'artigianato, 5 - 37053 - Cerea (VR)

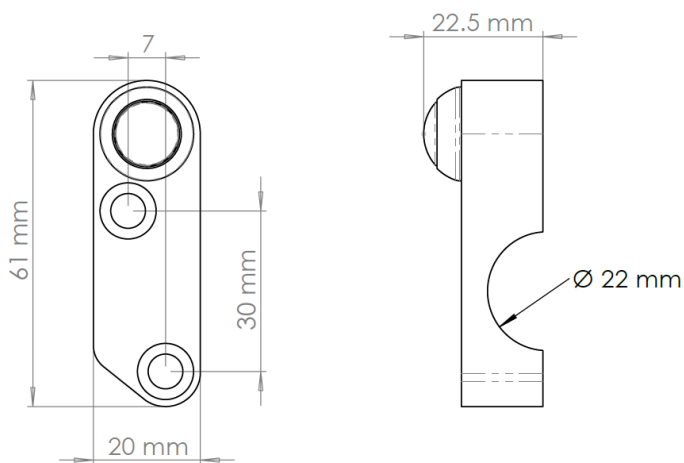
All values refer to standard conditions (20°C, 100 KPa)
Sometimes, MecTronik can changes the data without notice

Tel./Fax : +39-(0)442-329200 (lines r.a.)

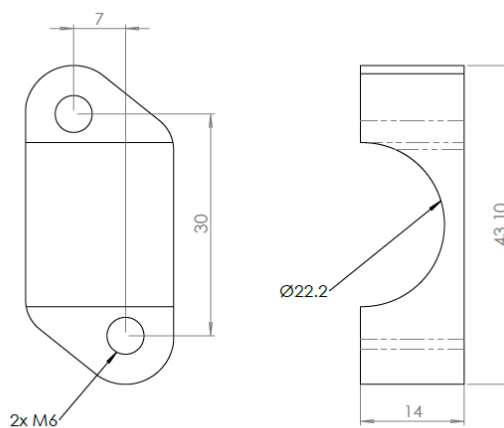
<http://www.mectronik.com>

info@mectronik.com

DIMENSIONS



COLLAR DIMENSIONS



NOTES

THE SENSOR IT'S DESIGNED FOR TO USE IN MOTORSPORT. IF USER WANTS TO USE IT IN A ON ROAD OR O.E.M APPLICATIONS, HE MUST ASSUME ALL RESPONSIBILITY AND MUST VALIDATE THE PRODUCTS AND THE APPLICATION OF THE RULES OF SAFETY, INDIPENDENTLY.

For more informations, please contact :

MecTronik S.r.l. - Via dell'artigianato, 5 - 37053 - Cerea (VR)

All values refer to standard conditions (20°C, 100 KPa)
Sometimes, Mectronik can changes the data without notice

Tel./Fax : +39-(0)442-329200 (lines r.a.)

<http://www.mectronik.com>

info@mectronik.com