



SwitchGear 2Buttons ON-OFF+START

HBS_R02

The product have been designed such as Kill Switch and starter button in the Motor Bike for motorsport applications. It's equipped with a guard for to avoid any unintentional action of the kill switch.

For OEM applications information please contact directly the company

For more informations, please contact :

All values refer to standard conditions (20°C, 100 KPa)
Sometimes, Mectronik can changes the data without notice

MecTronik S.r.l. - Via dell'artigianato, 5 - 37053 - Cerea (VR)

Tel./Fax : +39-(0)442-329200 (lines r.a.)

<http://www.mectronik.com>

info@mectronik.com

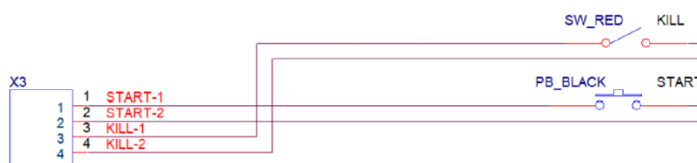
TECHNICAL SPECIFICS

BUTTONS	2	#
SWITCH TYPE - KILL	LATCHING	#
SWITCH CIRCUIT-KILL	N.O	#
SWITCH TYPE - STARTER	MOMENTARY	#
SWITCH CIRCUIT-STARTER	N.O	#
ELECTRICAL LIFE	>25k	Cycles
CABLE LENGHT	400	mm
WIRES	RAYCHEM 55A	#
GLUE	RAYCHEM S1125	#
SUPPLY VOLTAGE	Max 28V	V
SUPPLY CURRENT	Up to 1.5	A
FINISHING	BLACK ANODIZED	#
MATERIAL HOUSING	ALLUMINIUM	#
WEIGHT	60 ~	g
PROTECTION	IP64	#
OPERATING TEMP	-20.....+85	°C
MOUNTED	HANDLEBAR	
FIXING H.BAR DIAMETER	22	mm

ELECTRICAL CONNECTION

CONNECTOR	TYPE
SUMITOMO 4 WAY PM	6187-4441

PIN	FUNCTION	NOTE
1	START SW	
2	START SW	
3	KILL SW	
4	KILL SW	



COMMERCIAL INFO

SHORT NAME	TYPE	ORDER CODE
HBS_R02	2 SWITCHS	PRD0051

For more informations, please contact :

MecTronik S.r.l. - Via dell'artigianato, 5 - 37053 - Cerea (VR)

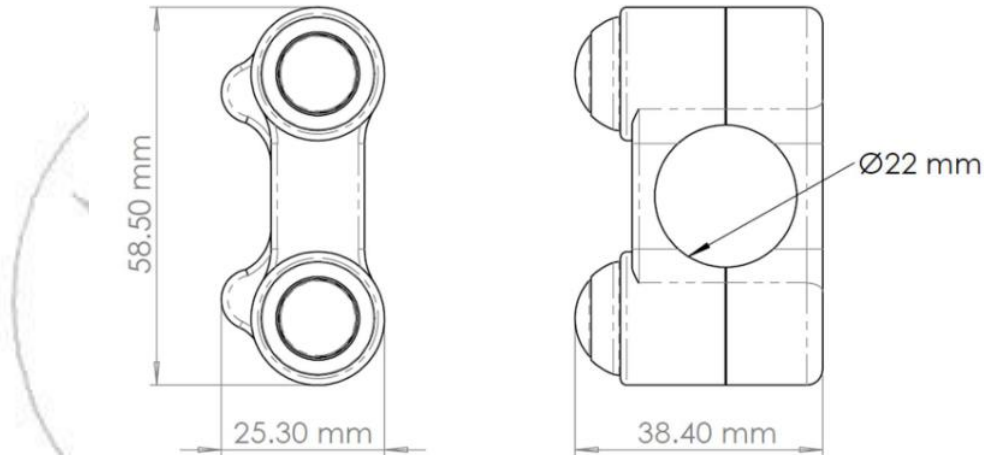
All values refer to standard conditions (20°C, 100 KPa)
Sometimes, MecTronik can changes the data without notice

Tel./Fax : +39-(0)442-329200 (lines r.a.)

<http://www.mectronik.com>

info@mectronik.com

DIMENSIONS



NOTES

THE SENSOR IT'S DESIGNED FOR TO USE IN MOTORSPORT. IF USER WANTS TO USE IT IN A ON ROAD OR O.E.M APPLICATIONS, HE MUST ASSUME ALL RESPONSIBILITY AND MUST VALIDATE THE PRODUCTS AND THE APPLICATION OF THE RULES OF SAFETY, INDIPENDENTLY.

For more informations, please contact :

All values refer to standard conditions (20°C, 100 KPa)
Sometimes, Mectronik can changes the data without notice

MecTronik S.r.l. - Via dell'artigianato, 5 - 37053 - Cerea (VR)

Tel./Fax : +39-(0)442-329200 (lines r.a.)

<http://www.mectronik.com>

info@mectronik.com